

## **Eight Zone SWP I/O Hardware Description**

SWP is an external I/O board that connects to IR MASTER to provide up to 8 dry contact switch inputs and 8 addressable IR or switch outputs. Up to 8 SWP's can be "stacked" to provide up to 64 inputs and outputs.

Absolute certainty for conditional commanding is provided by SWP's auto-polling capability. Inputs are automatically polled by IR MASTER whenever a command is to be sent that is conditional on one or more SWP inputs. Switch inputs can also be used to directly "trigger" IR MASTER "Scripts".

### **SPECIFICATIONS**

- Size: 4.4" x 4.4" x 3/4" PC board mounted on black walnut base
- Stacking hardware provided for multiple SWP's
- First SWP Board can be placed up to 250 feet from IR MASTER with up to 100' between SWPs
- 8 Indicator LEDs provide visualization of IR and switch outputs.

### **Inputs (10 Position Terminal Strip):**

- 8 switch dry contact or transistor inputs (can be mixed)
- Both push button (momentary) and fixed (non-momentary) switch types are supported
- Switch input resistance: 47K with 5 VDC pull-up.
- Switch input positions are sent to IRM every time one or more input "state" changes occur.
- Input polling for conditionals fully supported.

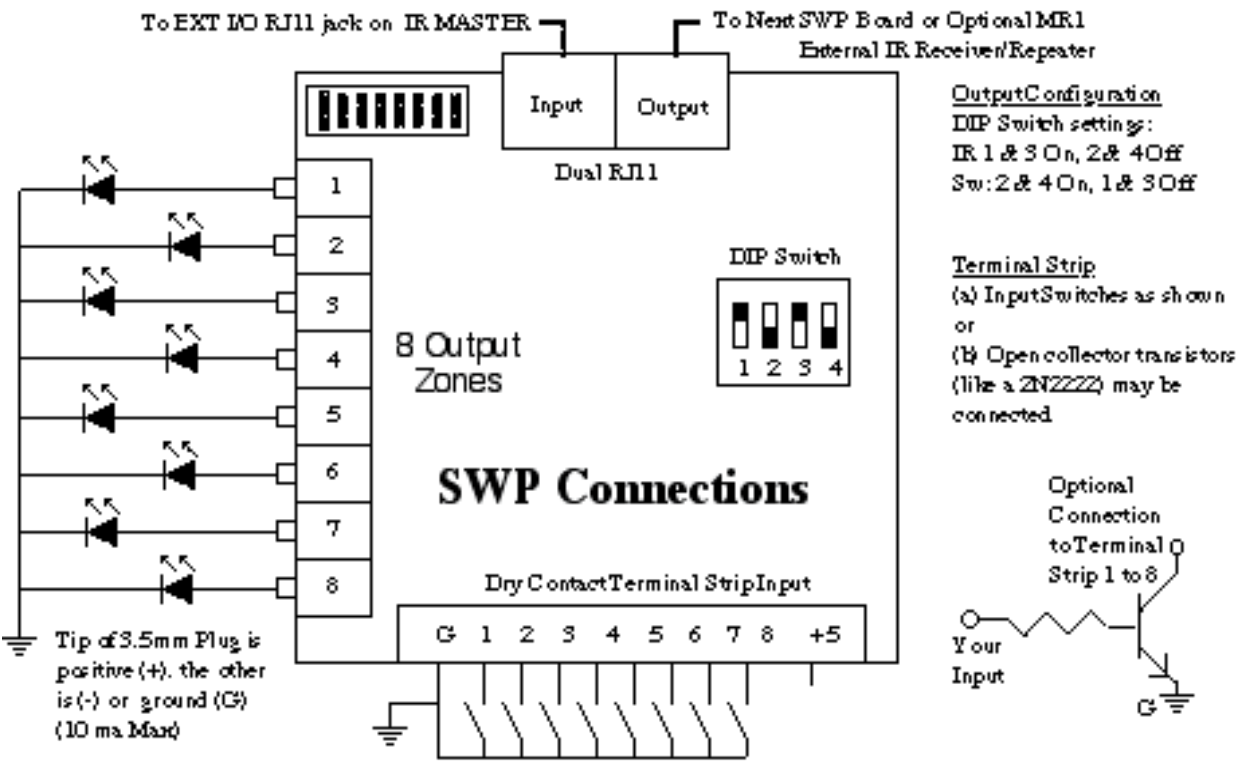
### **Outputs (Eight 1/8" Jacks):**

- 8 IR or Switch outputs via eight 3.5mm jacks.
- All outputs are unique and individually addressable
- Output configuration: By on board Dip switch
- Output Type: Bus Driver with 150 series resistance
- Can be wired to different rooms for multi-zone operation
- IR configuration will directly accept IR "stick on" emitters (Dancraft's EM1).
- Switch configuration will directly drive solid state relays (4 volt, 2000 ohm coils).

### **I/O Connection (Dual RJ11):**

The RJ11, marked input, is used to connect SWP to the outer RJ11 jack on IR MASTER (via the provided 3 foot RJ11-6 cable) or to the output of another SWP Board if in a "stack" (using a 3" RJ11-6 cable). The RJ11, marked output connects to the next SWP board in the "stack" if applicable

SWITCH I/O BREAKOUT BOX (SWP) HARDWARE DESCRIPTION



Dancraft Enterprises (310)-643-8782